

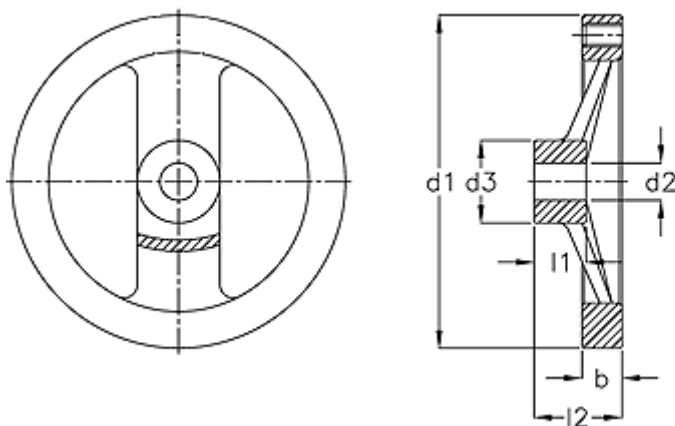
Data Sheet



Article number: 20343300

Description: E+G Handwheel
GN 322-125-K14-A

Measures



| | |
|-------|--------|
| b | = 15.0 |
| d1 | = 125 |
| d2 H7 | = 14 |
| d3 | = 31 |
| l1 | = 18 |
| l2 | = 33 |